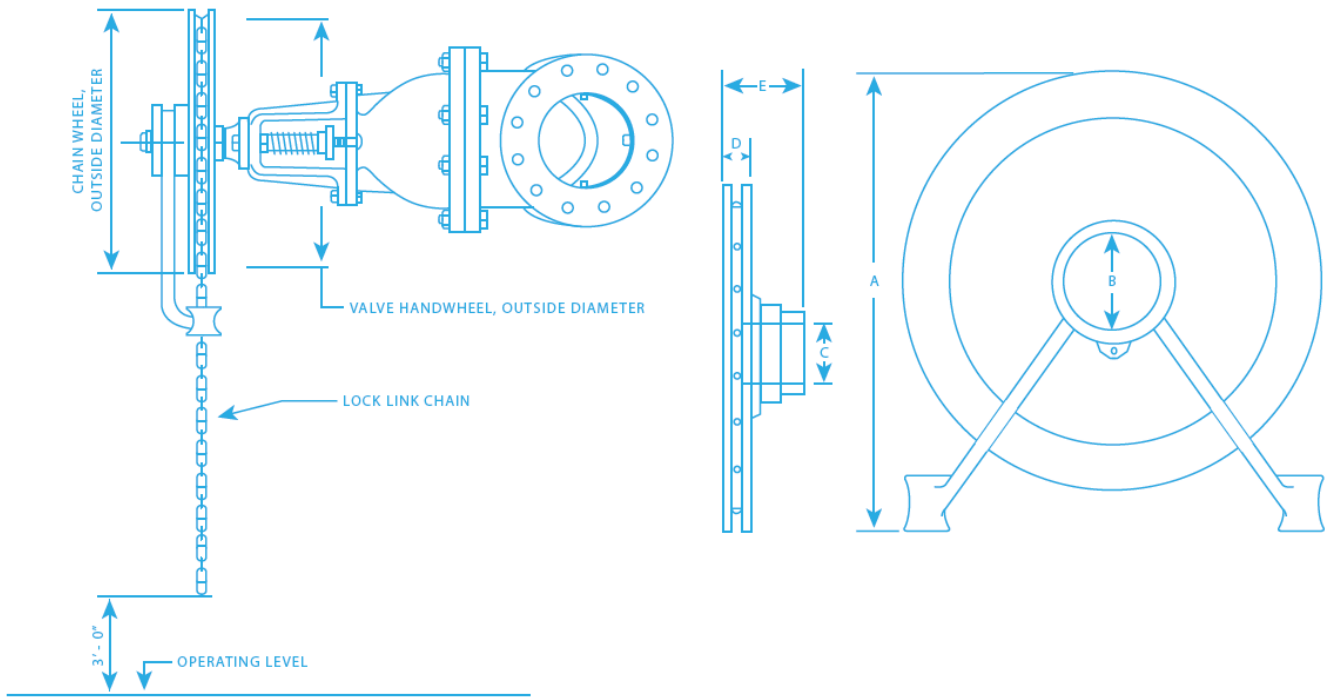


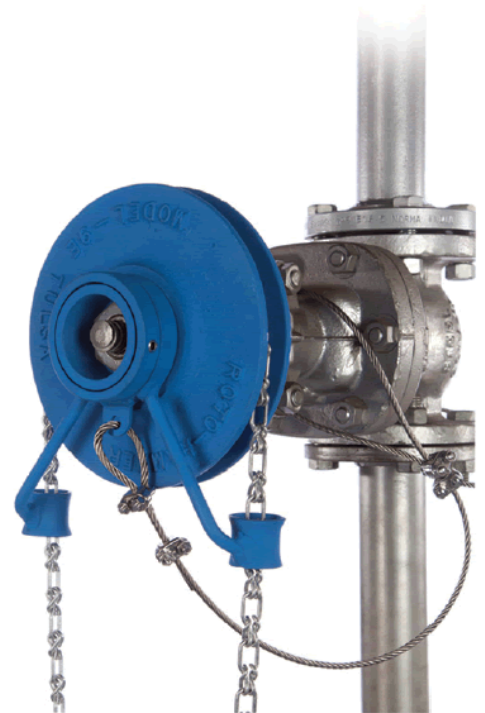
Technical Data

E Series *Direct Mount*



CAUTION:

- Whenever a chain wheel is installed, provision must be made to keep the VALVE HAND WHEEL RETAINING NUT FROM BACKING OFF THE STEM! This is best done by installing a SET SCREW that secures the nut to the stem.
- All chain wheel installations, regardless of age, must be regularly inspected as part of the user's Safety/Maintenance procedures. Set screws and other threaded fasteners MUST be secure and tight.
- As an additional safeguard, Roto Hammer strongly recommends that ALL chain wheels be fitted with an appropriately sized ROTO HAMMER RETAINING CABLE SAFETY KIT available from H N Supplies.
- Maintain Handwheel and Operator - Retention of the chain wheel operator on valve stem is dependent on the handwheel remaining on the valve stem. The handwheel retaining nut MUST be secured with a set screw.



HN Supplies
ChainWheels.co.uk

H N Supplies, Mickley House, Habberley, Pontesbury
Shrewsbury, Shropshire SY5 0SQ, United Kingdom
Telephone: +44 (0) 1743 792355 Fax: +44 (0) 1743 792471
🌐 www.chainwheels.co.uk ✉ sales@chainwheels.co.uk

Technical Data

E Series *Direct Mount*

CHAIN WHEEL DIMENSIONAL DATA mm (inches)							
SPROCKET SIZE	E-6	E-9	E-12	E-15	E-18	E-24	E-30
A - OVERALL HEIGHT	187.198 (7.370)	247.65 (9.750)	323.85 (12.750)	396.748 (15.620)	476.25 (18.750)	618.998 (24.370)	838.2 (33.000)
B - HUB DIAMETER	57.15 (2.250)	72.898 (2.870)	81.026 (3.190)	107.95 (4.250)	107.95 (4.250)	107.95 (4.250)	107.95 (4.250)
C - MAX BORE	25.4 (1.000)	60.198 (2.370)	68.326 (2.690)	95.25 (3.750)	95.25 (3.750)	95.25 (3.750)	95.25 (3.750)
D - RIM THICKNESS	28.448 (1.120)	34.798 (1.370)	34.798 (1.370)	47.498 (1.870)	47.498 (1.870)	47.498 (1.870)	47.498 (1.870)
E - OVERALL DEPTH	65.024 (2.560)	82.55 (3.250)	82.55 (3.250)	99.822 (3.930)	117.348 (4.620)	117.348 (4.620)	122.174 (4.810)

CHAIN OPERATOR SELECTION mm (inches)					
HAND WHEEL OUTSIDE DIAMETER	CHAIN OPERATOR	CHAIN WHEEL OUTSIDE DIAMETER	CHAIN SIZE REQUIRED	ROTO LINK REQUIRED	SAFETY CABLE REQUIRED
UP TO 152.4 (UP TO 6)	E-6	157.163 (6.1875)	#2	RL#2	RCK 3/16
152.4 - 228.6 (6 - 9)	E-9	217.488 (8.5625)	1/0	RL 1/0	
228.6 - 304.8 (9 - 12)	E-12	323.85 (12.75)	1/0	RL 1/0	
304.8 - 381 (12 - 15)	E-15	381 (15)	4/0	RL 4/0	RCK 1/4
381 - 457.2 (15 - 18)	E-18	463.55 (18.25)	4/0	RL 4/0	
457.2 - 609.6 (18 - 24)	E-24	615.95 (24.25)	5/0	RL 5/0	RCK 5/16
609.6 & OVER (24 & OVER)	E-30	768.35 (30.25)	5/0	RL 5/0	

