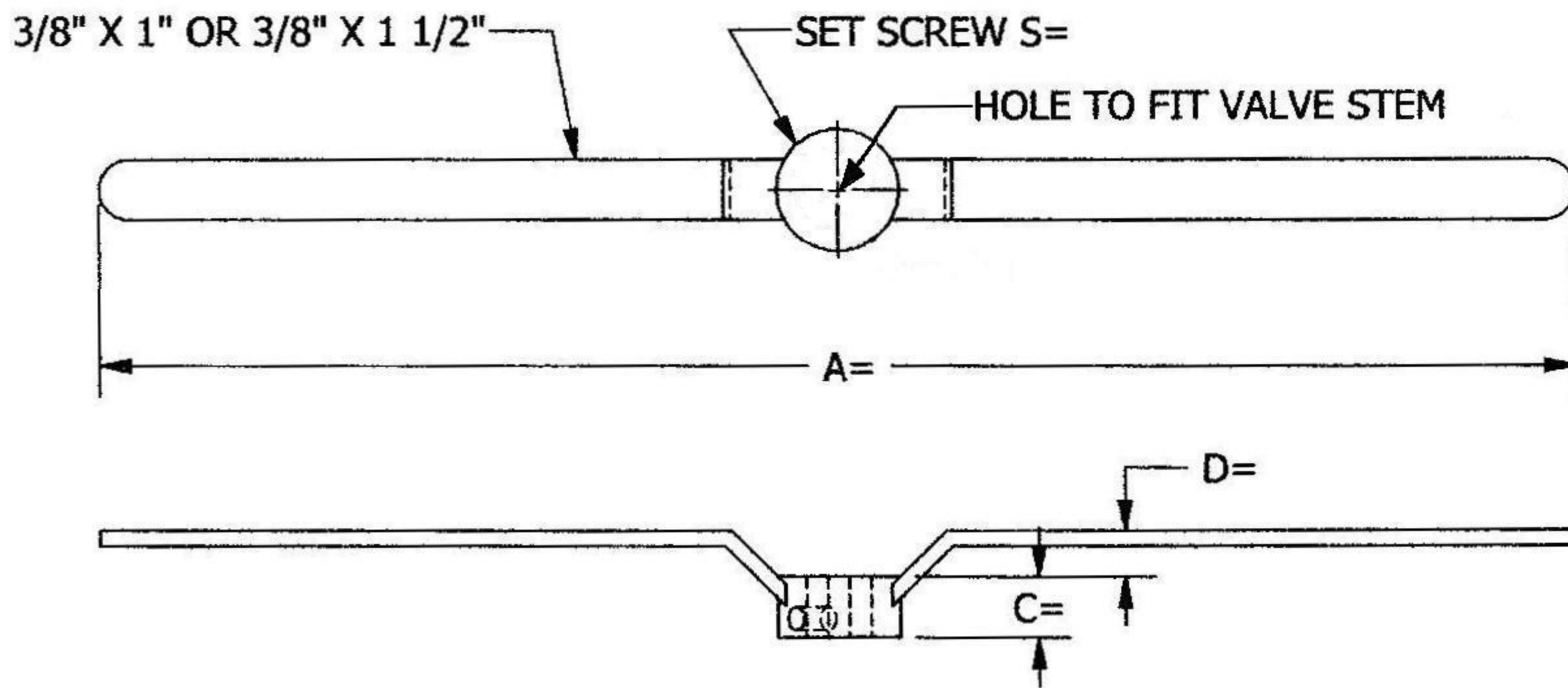


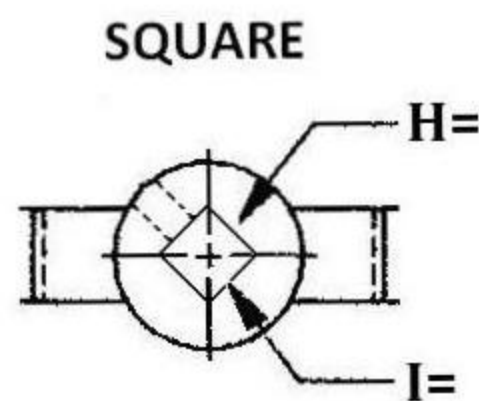
DIMENSIONS A, C, D AND SET SCREW SIZE WILL BE DETERMINED BY THE VALVE THAT THE CHAIN BAR IS TO BE USED ON

SIZE 1/0 GALVANIZED CHAIN WILL BE FURNISHED PER REQUIRED LENGTH

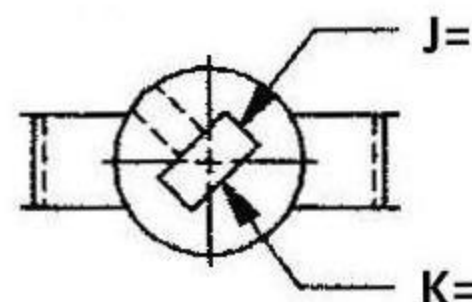


DIMENSIONS REQ'D

A=	
C=	
D=	
SQUARE HOLE:	
H=	
I=	
RECTANGLE-DOUBLE-D:	
J=	
K=	
S=	
Chain Length=	



RECTANGLE OR DOUBLE D



ROTO HAMMER

TITLE:

CHAIN BAR WRENCH
CBW-3 OR CBW-6

SIZE DWG. NO.

A RH-125

REV

1

SCALE: NTS WEIGHT:

SHEET 1 OF 1