

# Installation Instructions

## C Series Chainwheels

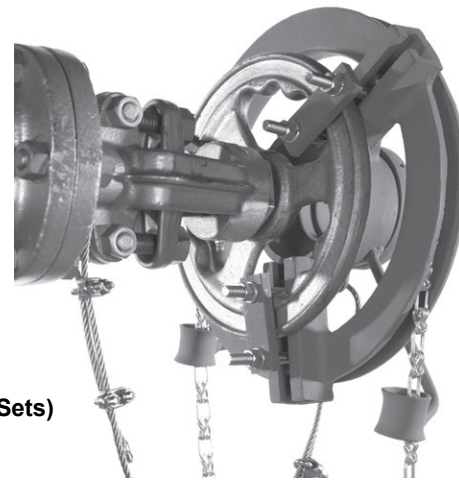
Models: C30 & C40

### Parts:



- A. Tee Slots (3)
- B. Sprocket
- C. Stud Bolts (6)
- D. Set Collar
- E. Chain Guide
- F. Lock Washers & Nuts (6 Sets)
- G. Drilled Clamps (3)  
Threaded Clamps (3)  
(shown already installed in above photo)

### Completed Assembly:



*C Series Back View*

### Procedure:

- 1) Screw all six Stud Bolts (C) into the Threaded Clamps (G).
- 2) Slide the three clamps (with bolts) into the three Tee Slots (A) and slightly tighten the bolts against the bottom of the tee slots just enough to hold them in place. Do Not Over Tighten.
- 3) Center the chain wheel over the valve handwheel.
- 4) Slide the Stud Bolts over the rim of the handwheel and install the Threaded Clamps and Lock Washers & Nuts (F). Securely tighten all six nuts.

### Caution:

- 1) Whenever a chain wheel is installed, provision must be made to KEEP THE VALVE HANDWHEEL RETAINING NUT FROM BACKING OFF THE STEM. This best done by installing a SET SCREW that secures the nut to the stem.
- 2) All chain wheel installations, regardless of age, must be regularly inspected as part of the user's Safety/Maintenance Procedures. Set screws and other threaded fasteners MUST be secure and tight.
- 3) As an additional safeguard, Roto Hammer strongly recommends that ALL chain wheels be fitted with an appropriately sized Roto Hammer RCK Safety Cable Kit available from your local distributor or Roto Hammer Industries.



**HN Supplies**  
**ChainWheels.co.uk**

H N Supplies, Mickley House, Habberley, Pontesbury  
Shrewsbury, Shropshire SY5 0SQ, United Kingdom  
Telephone: +44 (0) 1743 792355 Fax: +44 (0) 1743 792471  
📧 [www.chainwheels.co.uk](http://www.chainwheels.co.uk) ✉ [sales@chainwheels.co.uk](mailto:sales@chainwheels.co.uk)